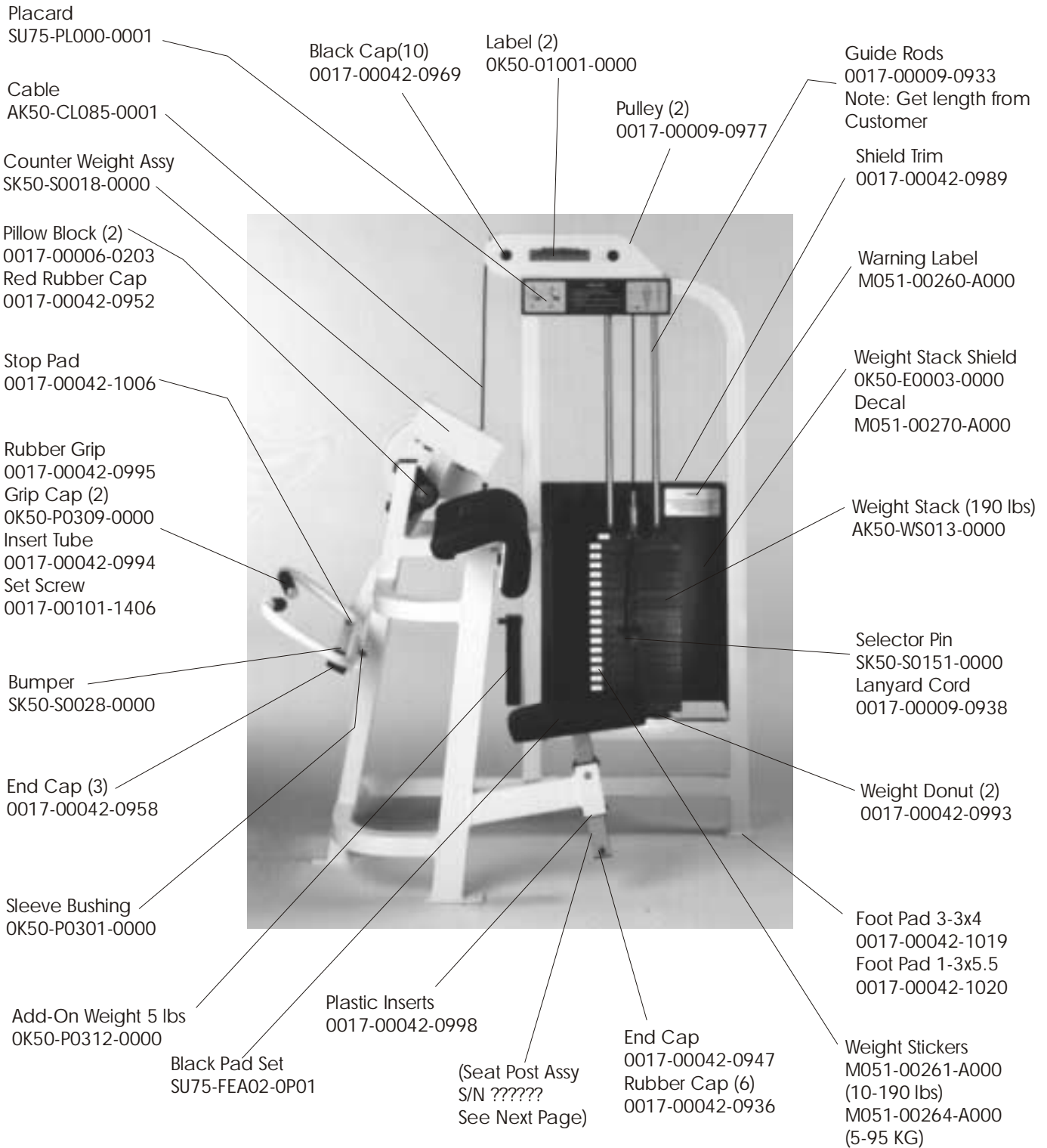


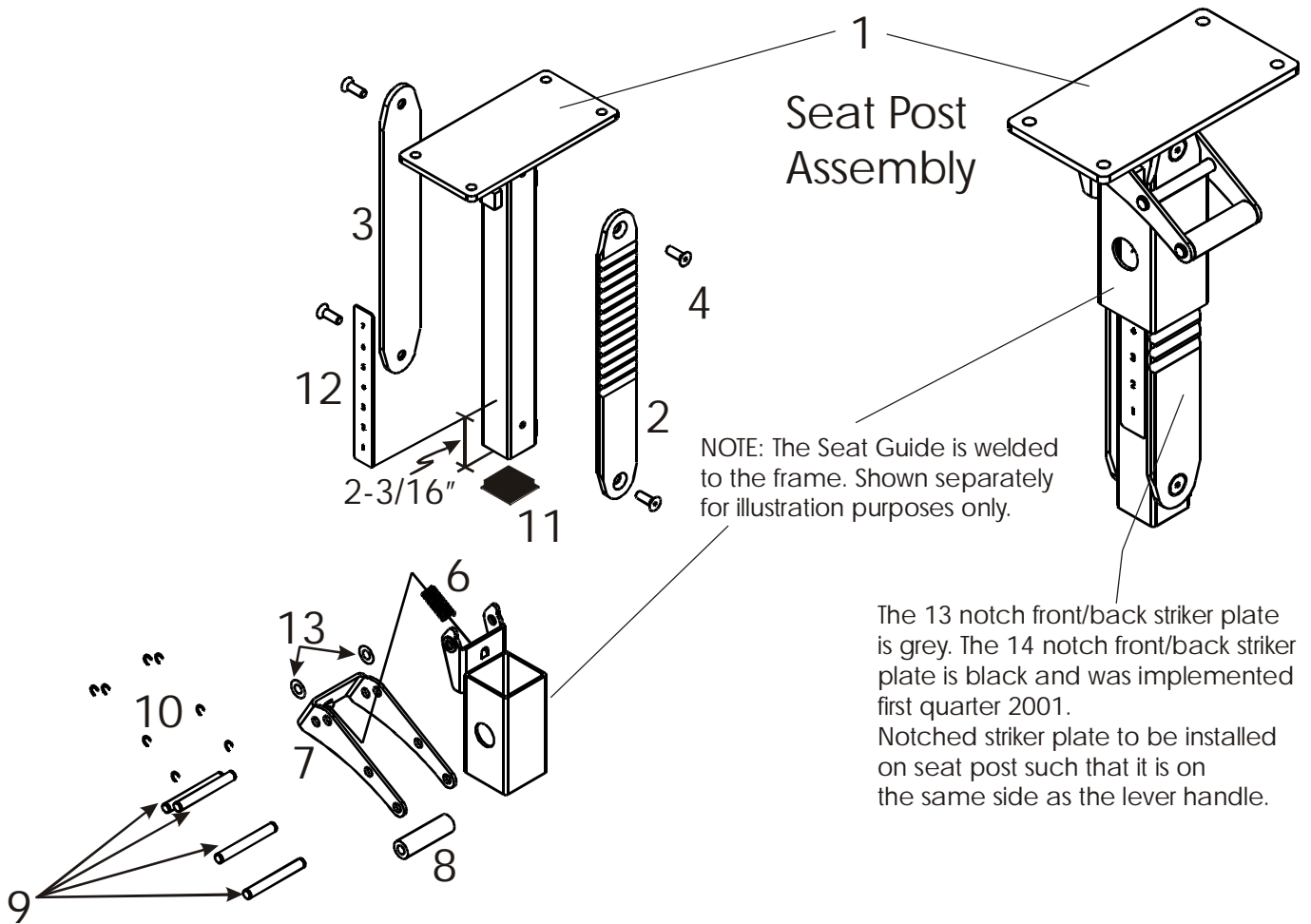
STRENGTH 9000 SERIES TRAINING EQUIPMENT

SU75 Arm Curl



STRENGTH 9000 SERIES TRAINING EQUIPMENT

SU75 Arm Curl - Seat Post Assembly



Item No.	Qty.	Part Number	Description
1	1	AK50-S0028-0000	Seat Post Assembly
2	1	0K50-P0547-0000	Front Striker Plate (14 Notch)
3	1	0K50-P0548-0000	Back Striker Plate
4	4	0017-00101-1655	5/16" X 24 Flat Bolt
6	1	0017-00009-1079	Spring
7	1	0K50-P0550-0000	Lever Release
8	1	0017-00042-1089	Rubber Grip
9	4	0K50-P0551-0000	Grooved Pin
10	8	0017-00100-0190	Retaining Clips
11	1	0017-00042-0944	1-1/2" x 1-1/2" End Cap
12	1	M051-00363-A000	Number Strip
13	2	0017-00104-0373	Nylon Washer